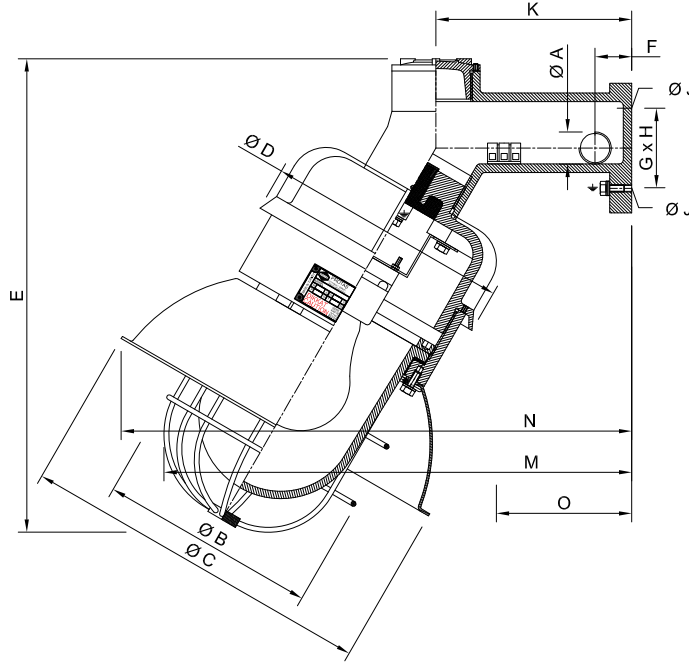


DUVAR TİPİ / WALL MOUNTED



Model			Ağırlık (kg) Weight	Max. kablo çapı Max. cable diameter	Duy Tipi Caps	Ölçüler / Dimensions (mm)													
Reflektörsüz without Reflector	Reflektörlü with Reflector	Güç wattage				Ø A		Ø B	Ø C	Ø D	E	F	G	H	Ø J	K	M	N	O
						NPT	METRIC												
EVJ.100/45°	EVJR.100/45°	100 W	3.25	Ø 14	E27	2 x 1/2"	2 x M20x1.5	130	270	152	295	30	80	57	7	120	290	343	86
EVJ.200/45°	EVJR.200/45°	200 W	6.00	Ø 19	E27	2 x 3/4"	2 x M25x1.5	178	290	198	387	30	125	65	9	160	387	417	111
EVJ.300/45°	EVJR.300/45°	300 W	8.25	Ø 19	E40	2 x 3/4"	2 x M25x1.5	265	420	283	512	30	125	65	9	160	479	515	80

Model	Lamba Tipi/Lamp Type	Güç Wattage (W)	Duy Caps	Işık Akısı (lümen) Luminaus flux	Renk Sıcaklığı (K) Color Temp.
EVJ.100/45°	Akkor Lamba / Incandescent Lamp	100	E27	1300	2700
	Enerji Tasarruflu Lamba / Energy Saving Lamp	23	E27	1505	2700
	Led Lamba / LED Lamp	9	E27	806	2700
EVJ.200/45°	Akkor Lamba / Incandescent Lamp	200	E27	3000	2700
	Enerji Tasarruflu Lamba / Energy Saving Lamp	42	E27	3110	6500
	Led Lamba / LED Lamp	13.5	E27	1521	2700
EVJ.300/45°	Akkor Lamba / Incandescent Lamp	300	E40	4000	2700
	Enerji Tasarruflu Lamba / Energy Saving Lamp	60	E27	4310	2700
	Enerji Tasarruflu Lamba / Energy Saving Lamp	75	E40	5550	6500

EVJ.100/45° ürün girişleri 3/4" veya M25x1.5 olarak üretilebilir / Cable connection inputs may be manufactured 3/4" or metric 25x1.5 for EVJ.100
 Ampul dahil değildir / Bulb is excluded
 Malzeme: Alüminyum ETIAL 140 Borosilikat camlı / Material: Aluminum ETIAL 140 with borosilicate glass